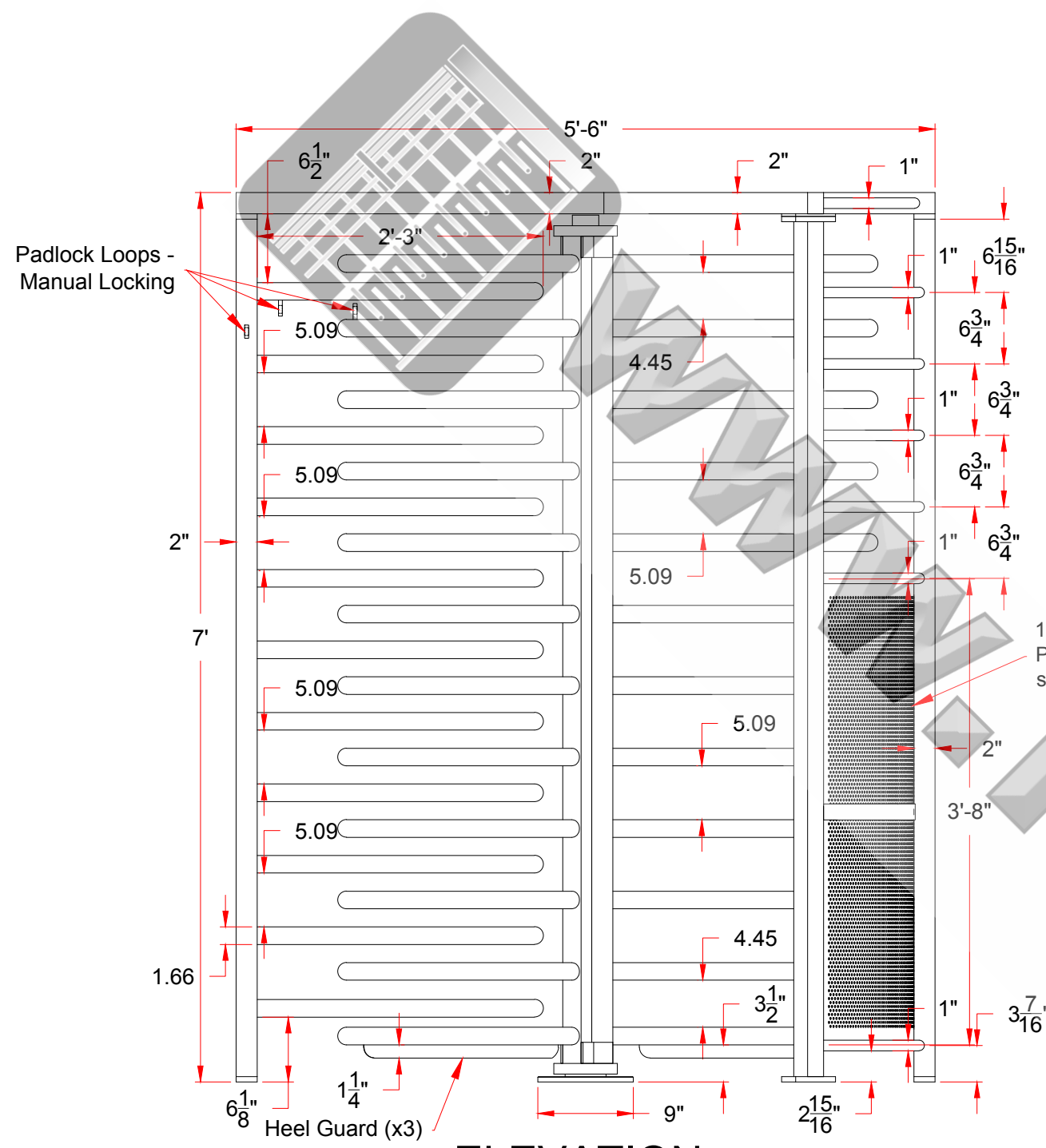


DIMENSIONS MAY VARY - NOT FOR FABRICATION / FACTORY USE - DESIGN CHANGES RESERVED

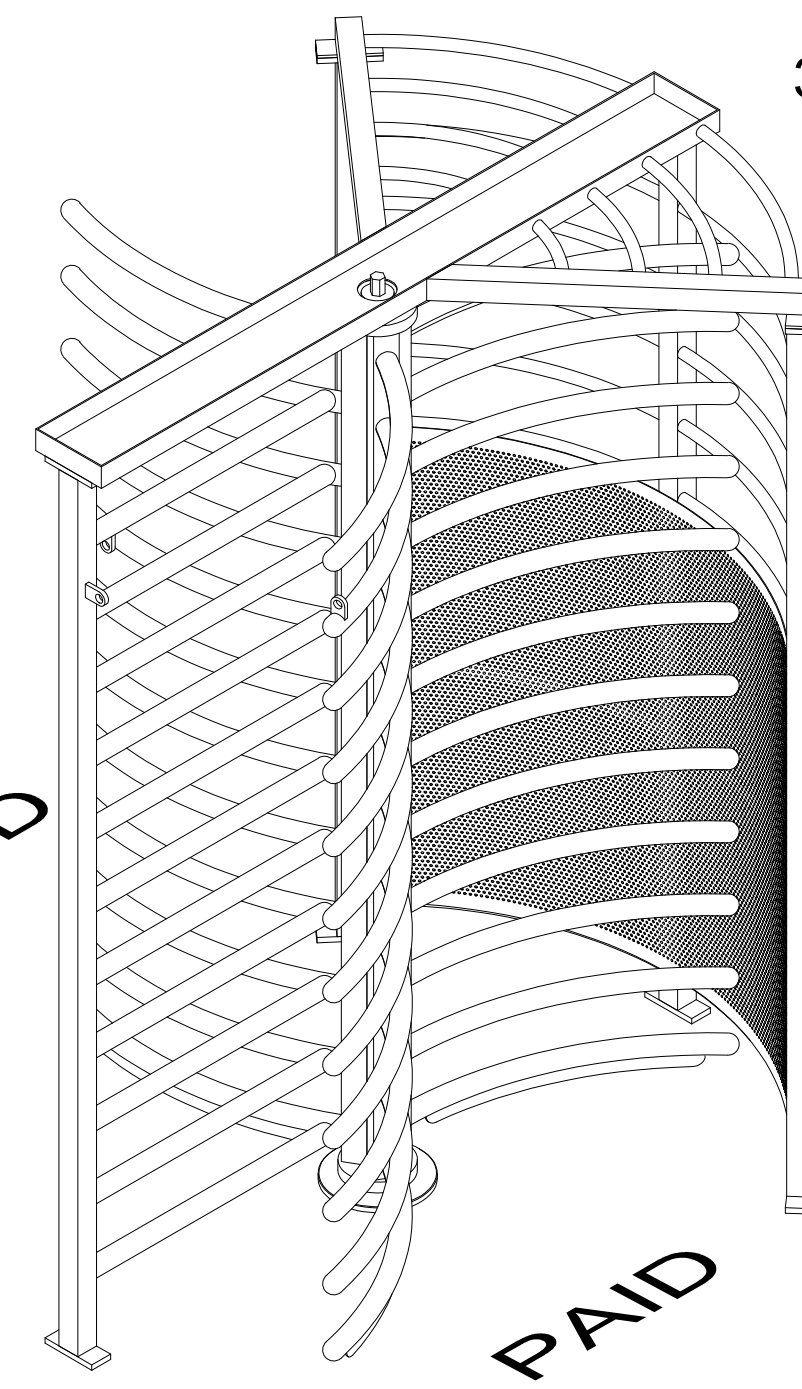
304 STAINLESS STEEL
with #4 SATIN FINISH



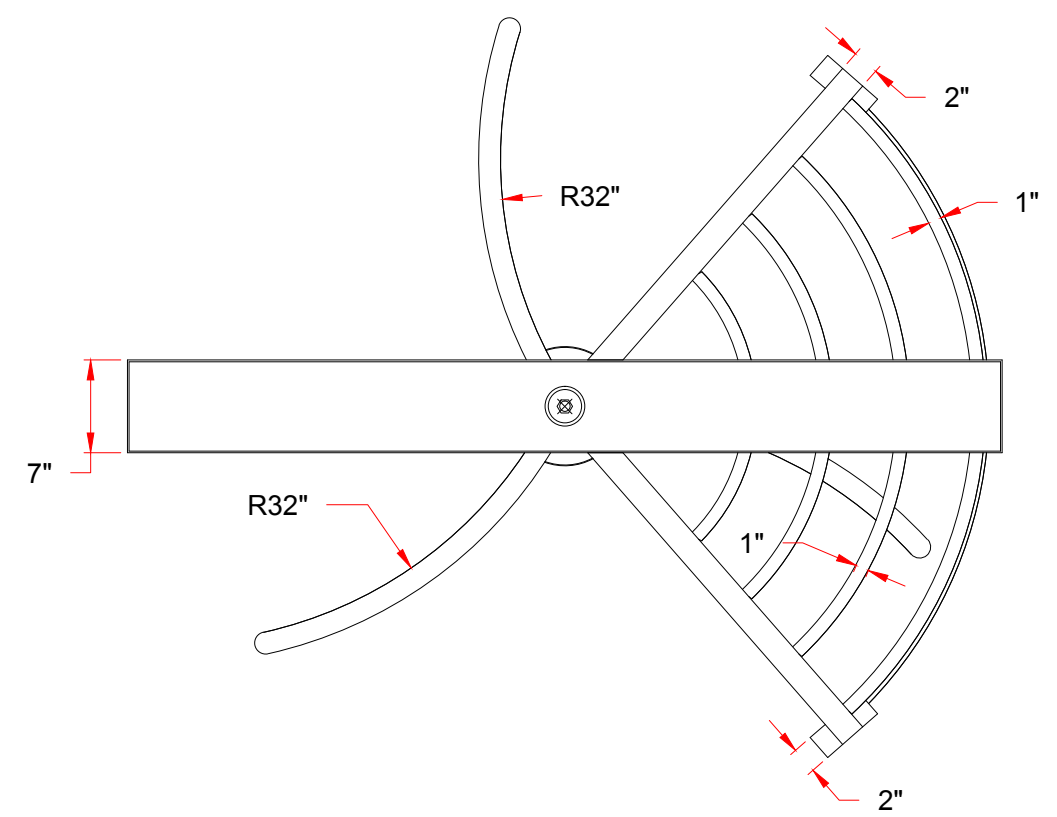
ELEVATION

16 Gauge Stainless Steel Sheet
Perforated with 1/4" Dia. Holes
staggered on 7/16" centers.

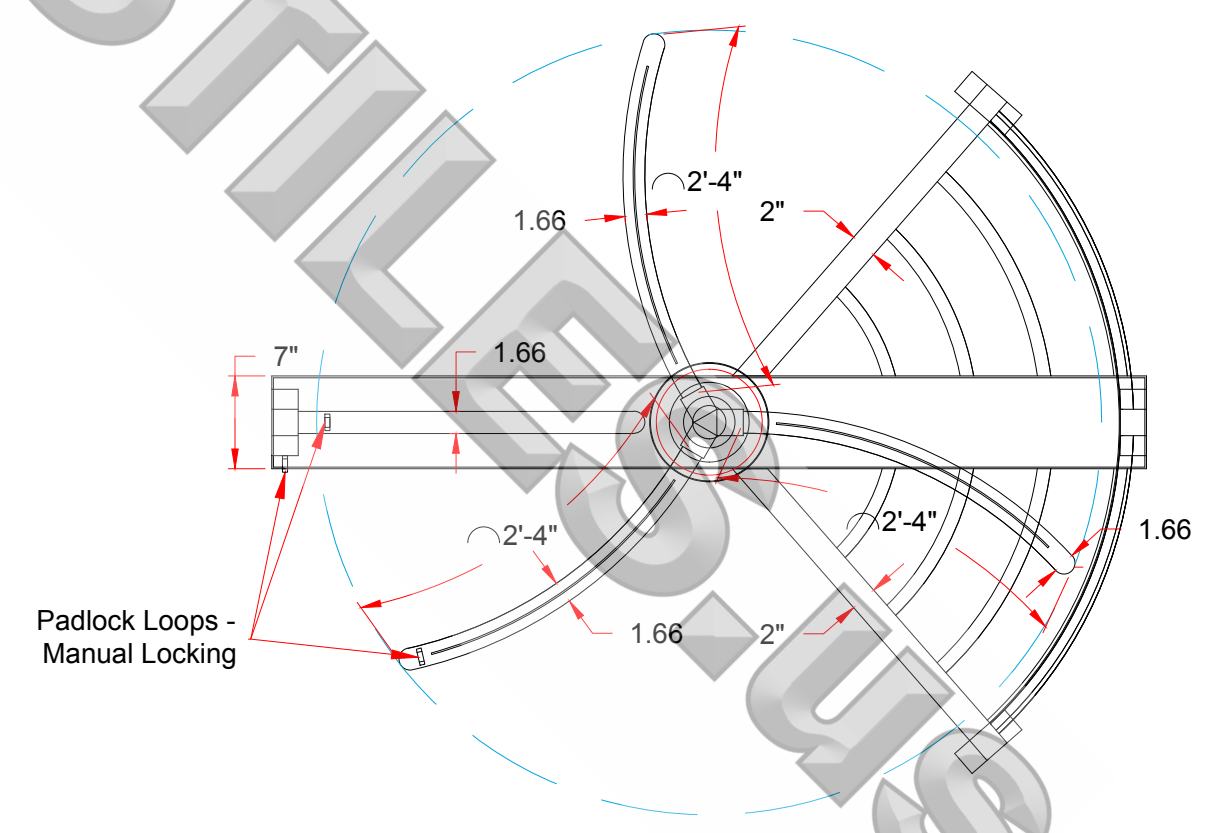
UNPAID



ISOMETRIC 3D



OVER HEAD



VIEW FROM ABOVE
(obscured lines visible)

HEW / HET
SINGLE FULL HEIGHT
EXIT TURNSTILE DETAIL
REVISION NOTES

HEW / HET "High Exit Wheel" / High Exit Turnstile
022117 STROCCHIA IRON WORKS HEW - HET 2D DETAIL
*** DIMENSIONS MAY VARY IN ACTUAL FABRICATION, DESIGN CHANGES RESERVED ***
PRELIMINARY TO FACTORY USE

TURNSTILES.us
8641 South Warhawk Rd. Conifer, CO 80433
Patrick McAllister Tel: 303-670-1099